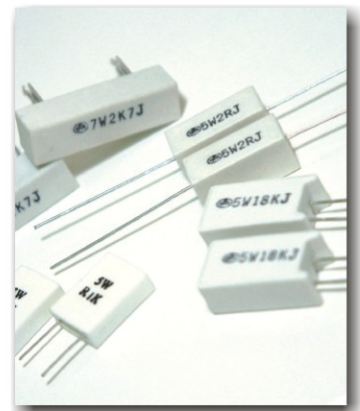


# CEMENT TYPE RESISTOR 水泥電阻器

# WBA

200 1500  
300 2000  
500 2500  
700 3000  
1000 3500



- PACKING 包裝：BULK PACKING 散裝
- PRODUCT TYPE 產品型號：SQP TYPE, SQM TYPE, SQZ TYPE, SQH TYPE, MPR TYPE
- TOLERANCE 誤差：±5%, ±10%
- RESISTANCE VALUE RANGE 阻值範圍：0.1 OHM – 150K OHM
- TESTING STANDARD 測試標準：JISC 5202

\* WIREWOUND RODS, VALUE CUT RODS OR FIBRE GLASS RODS ARE TO BE USED.

采用繞線瓷棒，切槽瓷棒或玻璃纖維瓷棒。

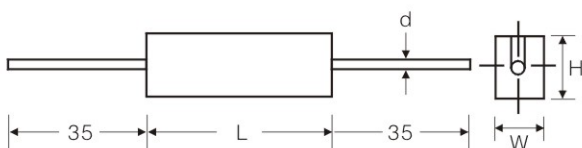
\* NON-INDUCTIVE TYPE ALSO AVAILABLE. 無感性亦可供應。

## SPECIFICATIONS 規格

POWER RATING 額定功率	MAX. WORKING VOLTAGE 最高使用電壓	DIELECTRIC WITHSTANDING VOLTAGE 耐電壓	RATING AMBIENT TEMP. 定額周圍溫度	MAX. OPERATING TEMP. 最高使用溫度	RESISTANCE TOLERANCE 誤差
2W	350V	1000V	70°C	155°C	J(±5%)
3W	500V	1000V			J(±5%)
5W	700V	1000V			J(±5%)
7W	700V	1000V			J(±5%)
10W	1000V	1000V			J(±5%)
15W	1000V	1000V			J(±5%)
20W	1000V	1000V			J(±5%)
25W	1000V	1000V			J(±5%)
30W	1000V	1000V			J(±5%)
35W	1000V	1000V			J(±5%)

## DIMENSIONS 尺寸 / VALUE RANGE 阻值範圍

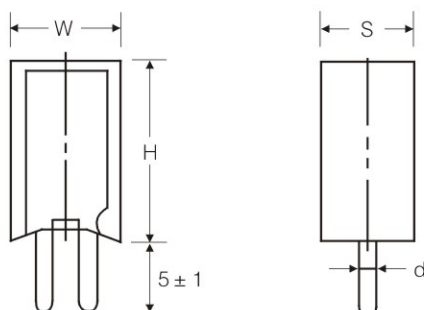
### SQP TYPE



Unit: mm

POWER RATING 額定功率	L	W	H	d	VALUE RANGE 阻值範圍
2W	18 ± 1.0	7.5 ± 1.0	7.5 ± 1.0	0.60 ± 0.05	0.15 Ω ~ 100 Ω
3W	22 ± 1.0	8.5 ± 1.0	8.5 ± 1.0	0.78 ± 0.05	0.24 Ω ~ 100 Ω
5W	22 ± 1.0	10 ± 1.0	9.5 ± 1.0	0.78 ± 0.05	0.3 Ω ~ 100 Ω
7W	35 ± 1.5	10 ± 1.0	9.0 ± 1.0	0.78 ± 0.05	0.15 Ω ~ 470 Ω
10W	48 ± 1.5	10 ± 1.0	9.0 ± 1.0	0.78 ± 0.05	1 Ω ~ 680 Ω
15W	48 ± 1.5	12 ± 1.0	13 ± 1.0	0.78 ± 0.05	1 Ω ~ 820 Ω
20W	60 ± 2.0	14 ± 1.0	13 ± 1.0	0.78 ± 0.05	1 Ω ~ 1K Ω
25W	60 ± 2.0	14 ± 1.0	13 ± 1.0	0.78 ± 0.05	1 Ω ~ 1K Ω
30W	75 ± 1.0	20 ± 1.0	19 ± 1.0	0.8	1 Ω ~ 1K Ω
35W	75 ± 1.0	19 ± 1.0	19 ± 1.0	0.8	1 Ω ~ 1K Ω

### SQM TYPE

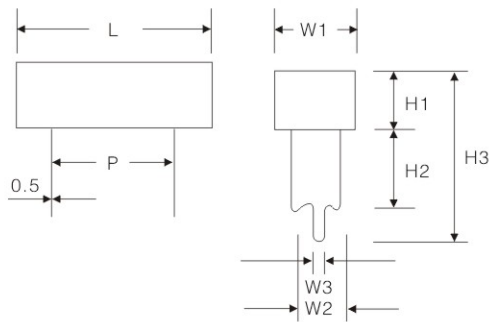


Unit: mm

POWER RATING 額定功率	W	H	S	d	VALUE RANGE 阻值範圍
3W	12.5 ± 1	25 ± 1.0	8.5 ± 1.0	0.8	0.24 Ω ~ 100 Ω
5W	13 ± 1.0	25 ± 1.0	9.5 ± 1.0	0.8	0.3 Ω ~ 100 Ω
7W	13 ± 1.5	39 ± 1.5	9.5 ± 1.0	0.8	0.51 Ω ~ 470 Ω
10W	13 ± 1.5	52 ± 2	9.5 ± 1.0	0.8	1 Ω ~ 680 Ω

The working voltage is calculated based on the resistance value following the formula of  $V = \sqrt{P \cdot R}$  or to its maximum extent as indicated above  
The overload voltage is calculated based on the resistance value following the formula of  $V = 25 \cdot \sqrt{P \cdot R}$  or to its maximum extent as indicated above

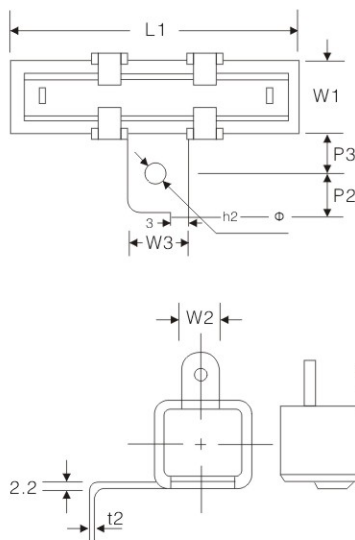
## SQZ TYPE



Unit: mm

POWER RATING 額定功率	L	P	W1	W2	W3	H1	H2	H3	VALUE RANGE 阻值範圍
5W	27	15	9.5	5.3	0.9	9.5	10	25.5	0.47Ω-220Ω
7W	35	22.5	9.5	5.3	0.9	9.5	10	25.5	0.68Ω-470Ω
10W	48	35	9.5	5.3	0.9	9.5	10	25.5	1Ω-680Ω

## SQH TYPE

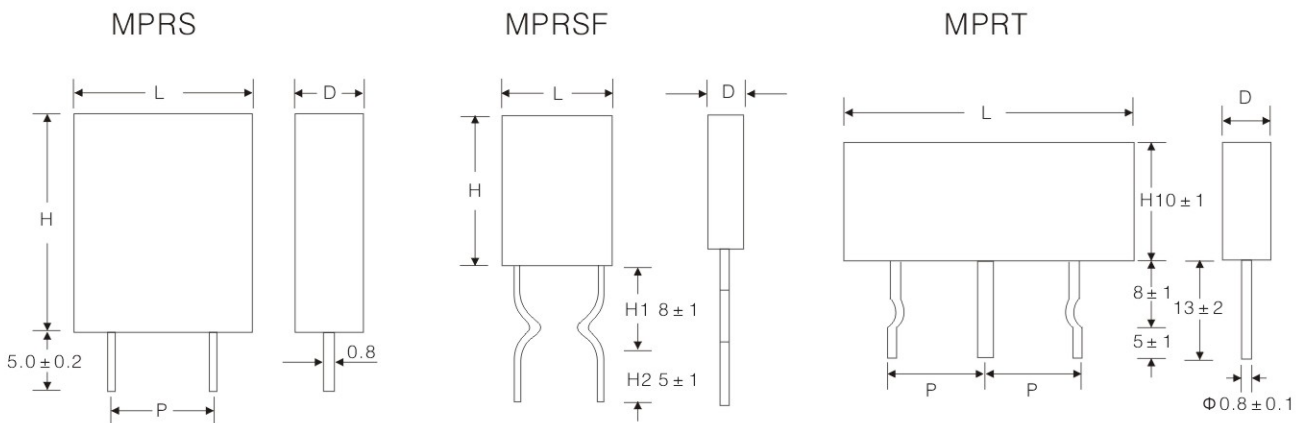


Unit: mm

POWER RATING 額定功率	L1	L2	W3	P2	P3	t2	h2	W1	W2	H1	H2	VALUE RANGE 阻值範圍
10W	48 ± 1.5	24	12 ± 0.2	6	8	0.6	4	9.5 ± 1.0	5	9.5 ± 1.0	6.0 ± 1.5	1Ω-680Ω
15W	48 ± 1.5	24	12 ± 0.2	6	8	0.8	4	12.5 ± 1.2	6	12.5 ± 1.2	7.5 ± 2.0	1Ω-820Ω
20W	63 ± 2.0	24	12 ± 0.2	6	10	0.8	4	12.5 ± 1.2	6	12.5 ± 1.2	7.5 ± 2.0	1Ω-1KΩ
30W	76 ± 2.5	29	18 ± 0.2	6	10	0.8	4.2	19 ± 1.5	7.5	19 ± 1.5	10 ± 2.0	1.5Ω-1.5KΩ
40W	90 ± 2.5	39	18 ± 0.2	6	10	0.8	4.2	19 ± 1.5	7.5	19 ± 1.5	10 ± 2.0	1.8Ω-2KΩ

Remarks: Different height and thickness of the lead plates are available upon request 也可提供不同高度和厚度的銅片引腳

## MPR TYPE



TYPE 型號	L ± 1	H ± 1	D ± 0.5	P ± 0.5	VALUE RANGE 阻值範圍 K(±10%)	MAX.WORKING VOLTAGE 最高使用電壓
MPR2W3	14.0	10.0	5.5	9.0	0.1Ω-0.33Ω	350V
MPR5WS	14.0	18.0	5.5	9.0	0.1Ω-0.5Ω	500V
MPR5WSF	14.0	18.0	5.5	9.0	0.1Ω-0.5Ω	500V
MPR5WT	26.0	10.0	5.5	10 ± 1	0.1Ω-0.5Ω	500V

