

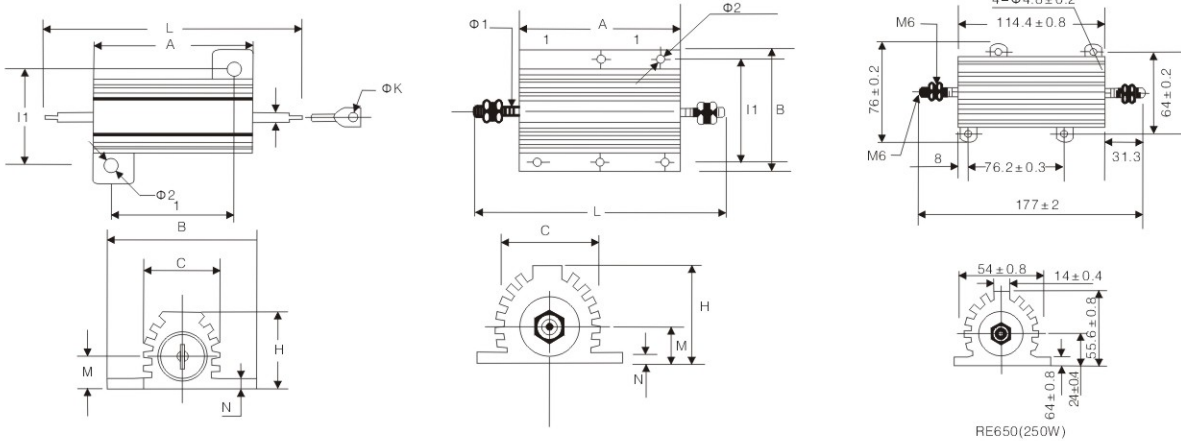
ALUMINUM HOUSED WIREWOUND RESISTOR 鋁殼繞線電阻器

AH

5
10
25
30
50
100
250



- Higher power ratings are available upon request.
較高功率亦可提供



TYPE 型號	25°C下 額定功率 (W) (帶散熱板)	MEASUREMENT 外型尺寸											VALUE RANGE 阻值範圍	TCR 溫度系數 (PPM/°C)	TOLERANCE 誤差	WORKING VOLTAGE 使用電壓
		A	B	L	H	I	I1	C	M	N	Φ	K				
AH-5	5	15.5	16	36.5	8	11.4	12.5	8.5	4.4	1.5	1.2	1.3	0.01~1K	± 20 ± 50 ± 100 ± 250	± 0.1(B) ± 0.25(C) ± 0.5(D) ± 1(F) ± 2(G) ± 5(J)	1000
AH-10	10	19.5	21	40.5	10	14	16	11.2	5	2	2	2.2	0.01~1.5K			
AH-25	25	27	27	48	13	18.3	20	14.3	7	2	2	2.2	0.01~10K			
AH-30	30	34	29	55	15.5	25	22	16.3	7.3	2	2	2.2	0.01~27K			2000
AH-50	50	50	29	71	15.5	40	22	16.3	7.3	2	3	2.2	0.01~33K			

PERFORMANCE TEST 性能測試

TEST ITEM 試驗項目	SPECIFICATIONS 性能要求	TEST METHOD 測試方法
SOLDERABILITY 焊錫性	Free Flow of Solder on the Lead Wire 焊料能自由流動并引線潤滑	235 ± 5°C, 2s (Solder Bath) 槽焊法
TERMINAL TENSILE STRENGTH 引出端強度	$\Delta R \leq \pm (1\%R + 0.05\Omega)$	40N
OVERLOAD 過載	$\Delta R \leq \pm (1\%R + 0.05\Omega)$	10PR, 5s
TEMPERATURE CHANGE 溫度變化	$\Delta R \leq \pm (1\%R + 0.05\Omega)$	-55°C~+150°C, (5 Cycles) 5次循環
SOLDER HEAT 耐焊接熱	$\Delta R \leq \pm (1\%R + 0.05\Omega)$	350 ± 10°C, 3.5 ± 5s
SHOCK 衝擊	$\Delta R \leq \pm (1\%R + 0.05\Omega)$	Increase speed to 490m/s ² , 11ms, 18 times 加速度490m/s ² , 11ms, 18次
VIBRATION 耐震性	$\Delta R \leq \pm (1\%R + 0.05\Omega)$	Frequency 10~50Hz, Increase speed to 98m/s ² , 6h 頻率10~50Hz, 加速度98m/s ² , 6h
SURFACE TEMPERATURE RISE 表面溫升	≤ 275°C	VR
DAMP / HEAT AT STEADY STATE 穩態濕熱	$\Delta R \leq \pm (5\%R + 0.05\Omega)$	Temperature 40 ± 2°C, Temperature 93 ± 3%, 21 days 溫度40 ± 2°C, 溫度93 ± 3%, 21天
LOAD LIFE 負載壽命	$\Delta R \leq \pm (5\%R + 0.05\Omega)$	Increase power rating under room temperature for 1000h 室溫施加額定功率負荷1000h

