



香 港 電 阻 製 造 廠

香港柴灣安業街十二號長益工業大廈10字樓A座

HONG KONG RESISTORS MANUFACTORY

(wholly owned by Hong Kong Resistors Manufactory International Ltd.)

AN ISO 9001:2008 CERTIFIED MANUFACTURER

AN OHSAS 18001:2007 MANUFACTURER

AN ISO 14001 : 2004 MANUFACTURER

10A Cheong Yick Industrial Building, 12 On Yip St., Chai Wan, Hong Kong

Tel.: (852) 2896 2782 Fax.: (852)2896 5291

國內工廠一: 東莞溢輝電子有限公司

地址: 東莞市虎門鎮懷德社區蔗寮工業區4號

Tel.: (86 769) 8331 5373 Fax.: (86 769) 8331 1603

國內工廠二: 恆輝電阻(益陽)有限公司

地址: 湖南省益陽市資陽區長春工業園五福路

Tel.: (86 737) 3800 399 Fax.: (86 737) 3800 199

DATA SHEET

Name of Product : CARBON FILM FIXED RESISTOR -TAPING (CP WIRE)

Sales Executive : _____

Date: _____

製造 Prepared by	檢驗 Inspected by	審核 Audited by	核准 Authorized by
客戶 customer approval	客戶 customer approval	客戶 customer approval	客戶 customer approval

Spec. No. CFTB CP 2015

Rev. No.: 2015 May.(1)

PRODUCT : CARBON FILM FIXED RESISTOR(CP WIRE) TYPE : CF 125/25/50/100/200/300

1. APPLICABLE SCOPE :

- 1.1 This data sheet is for use in CARBON FILM FIXED RESISTORS
- 1.2 Characteristics and specifications are according to those of :
JIS C 5202
- 1.3 RoHS and REACH compliant product

2. PART NUMBER

It is composed of description, rated wattage, nominal resistance value, tolerance and packaging.

2.1 Make Up :

C	F	1	0	0	4	7	0	R	J	T	B						C	P
---	---	---	---	---	---	---	---	---	---	---	---	--	--	--	--	--	---	---

Product Code		Power Rating		Nominal Resistance Value	Tolerance		Packaging		Lead Wire diameter		Taping width		
C	Carbon	Code	Wattage		Code	Tol.		Taping	Code	Size	Code	Size	
F	Film	125	0.125(1/8W)		G	2%	TB	in		125: 0.40mm		52mm	
		25	0.25(1/4W)		J	5%		box	043	125: 0.43mm	26	26mm	
		50	0.50(1/2W)							25: 0.40mm	62	62mm	
		100	1.0(1W)						048	25:0.48mm	73	73mm	
		200	2.0(2W)							50:0.48mm			
		300	3.0(3W)							060	50: 0.60mm		
										100: 0.55mm			
										070	100: 0.70mm		
										200: 0.70mm			
										075	200:0.75mm		
									300: 0.70mm				
									075	300: 0.75mm			

CP WIRE

2.2 Explanation :

<u>Part Number</u>	<u>Description</u>
CF 100 470R J TB CP	Carbon Film Fixed Resistor , 1W , 470Ω , +/-5% , tape in box ,
	CP Wire diameter: d=0.55mm, Taping width=52mm.

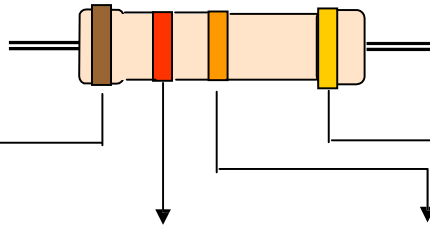
Remarks : The power rating of 1/8W is coded as 125

PRODUCT : CARBON FILM FIXED RESISTOR(CP WIRE) TYPE : CF125/25/50/100/200/300

2.3 Color code indication

Fixed resistors of which the nominal resistance value and tolerance are indicated by color codes as per Table 1 :

TABLE - 1

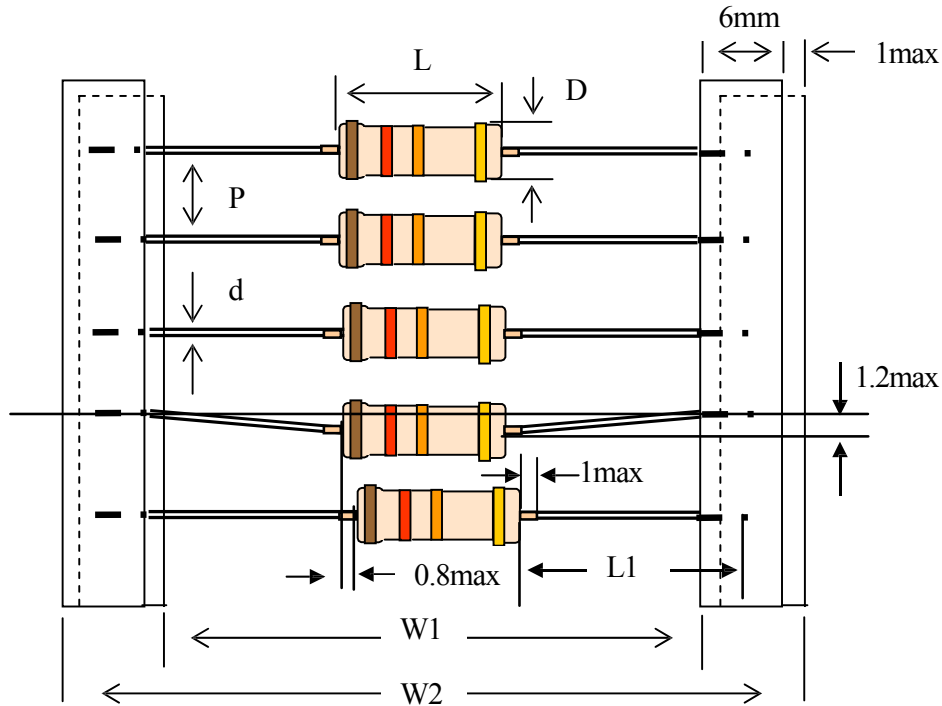


COLOR	1 ST DIGIT	2 ND DIGIT	MULTIPLIER	TOLERANCE
BLACK	0	0	1	
BROWN	1	1	10	
RED	2	2	100	G(±2%)
ORANGE	3	3	1,000	
YELLOW	4	4	10,000	
GREEN	5	5	100,000	
BLUE	6	6	1000,000	
VIOLET	7	7	10,000,000	
GREY	8	8		
WHITE	9	9		
GOLD			0.1	J (±5%)
SILVER			0.01	

PRODUCT : CARBON FILM FIXED RESISTOR(CP WIRE) TYPE : CF125/25/50/100/200/300

3. DIMENSIONS :

TABLE - 2



Unit : mm

TYPE	L	D	d	P	W1	W2	L1
CF125	3.5±0.5	1.7±0.5	0.40 (0.43)±0.05	5±0.3	26±1	38±1	15±1
					52±1	64±1	27±1
CF25	6.0±1.0	2.3±0.5	0.40 (0.48)±0.05	5±0.3	26±1	38±1	14±1
					52±1	64±1	26±1
CF50	9.0±1.0	3.0±0.5	0.48 (0.60)±0.05	5±0.3	26±1	38±1	13±1
					52±1	64±1	26±1
CF100	11.0±1.5	4.0±0.5	0.55(0.70)±0.05	5±0.3	52±1	64±1	25±1
					62±1.5	74±1.5	30±1
CF200	15.0±1.5	5.0±0.5	0.70(0.75)±0.05	10±0.3	52±1	64±1	23±1
					73±1.5	85±1.5	34±1
CF300	17.0 ± 1.5	6.0 ± 0.5	0.70(0.75)±0.05	10±0.3	73±1.5	85±1.5	33±1

PRODUCT : CARBON FILM FIXED RESISTOR(CP WIRE)	TYPE : CF 125/25/50/100/200/300
--	--

4. SPECIFICATIONS

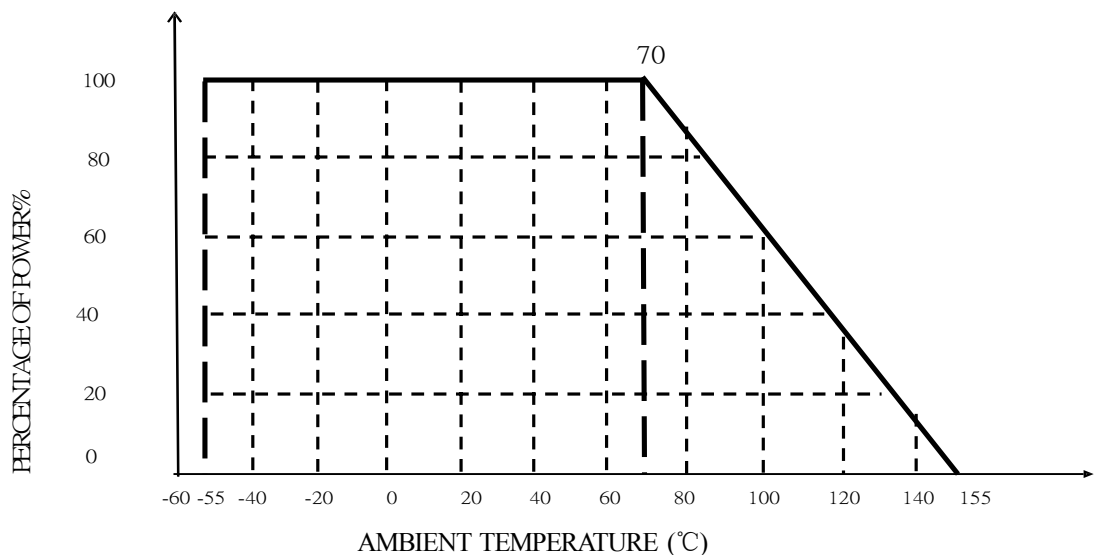
TABLE - 3

DESCRIPTION	CF125	CF25	CF50	CF100	CF200	CF300
STANDARD RESISTANCE VALUE RANGE	1Ω-4.7MΩ	1Ω-4.7MΩ	1Ω-4.7MΩ	1Ω-4.7MΩ	1Ω-4.7MΩ	1Ω-4.7MΩ
POWER RATING AT 70°C	1/8W	1/4W	1/2W	1W	2W	3W
*MAX WORKING VOLTAGE	200V	250V	350V	500V	500V	500V
*MAX OVERLOAD VOLTAGE	400V	500V	700V	1,000V	1,000V	1,000V
OPERATING TEMPERATURE RANGE	-55°C~+135°C	-55°C~+135°C	-55°C~+135°C	-55°C~+155°C	-55°C~+155°C	-55°C~+155°C
TEMPERATURE COEFFICIENT						
≤ 10Ω	±300PPM	±300PPM	±300PPM	±300PPM	±300PPM	±300PPM
10Ω- 220KΩ	0~ -500PPM	0~ -500PPM	0~ -500PPM	0~ -400PPM	0~ -400PPM	0~ -400PPM
230KΩ- 1MΩ	0~ -1,000PPM	0~ -1,000PPM	0~ -700PPM	0~ -600PPM	0~ -600PPM	0~ -600PPM
OVER 1MΩ	0~ -1,500PPM	0~ -1,500PPM	0~ -1,000PPM	0~ -1,000PPM	0~ -1,000PPM	0~ -1,000PPM
TEMPERATURE CYCLING	±(1R%+0.05Ω)	±(1R%+0.05Ω)	±(1R%+0.05Ω)	±(1R%+0.05Ω)	±(1R%+0.05Ω)	±(1R%+0.05Ω)
VOLTAGE COEFFICIENT	MAX.50PPM/V	MAX.50PPM/V	MAX.50PPM/V	MAX.50PPM/V	MAX.50PPM/V	MAX.50PPM/V
INSULATION RESISTANCE	MIN.1,000MΩ	MIN.1,000MΩ	MIN.1,000MΩ	MIN.1,000MΩ	MIN.1,000MΩ	MIN.1,000MΩ
HUMIDITY	±3%	±3%	±3%	±3%	±3%	±3%
SHORT-TIME OVERLOAD	±(1R%+0.05Ω)	±(1R%+0.05Ω)	±(1R%+0.05Ω)	±(1R%+0.05Ω)	±(1R%+0.05Ω)	±(1R%+0.05Ω)
SOLDERABILITY	MIN.95% COVERED	MIN.95% COVERED	MIN.95% COVERED	MIN.95% COVERED	MIN.95% COVERED	MIN.95% COVERED
VIBRATION	±(1R%+0.05Ω)	±(1R%+0.05Ω)	±(1R%+0.05Ω)	±(1R%+0.05Ω)	±(1R%+0.05Ω)	±(1R%+0.05Ω)
LOAD LIFE	MAX.±5%	MAX.±5%	MAX.±5%	MAX.±5%	MAX.±5%	MAX.±5%

* The working voltage is calculated based on the resistance value following the formula of $V=\sqrt{(P*R)}$ or to its maximum extent as indicated above

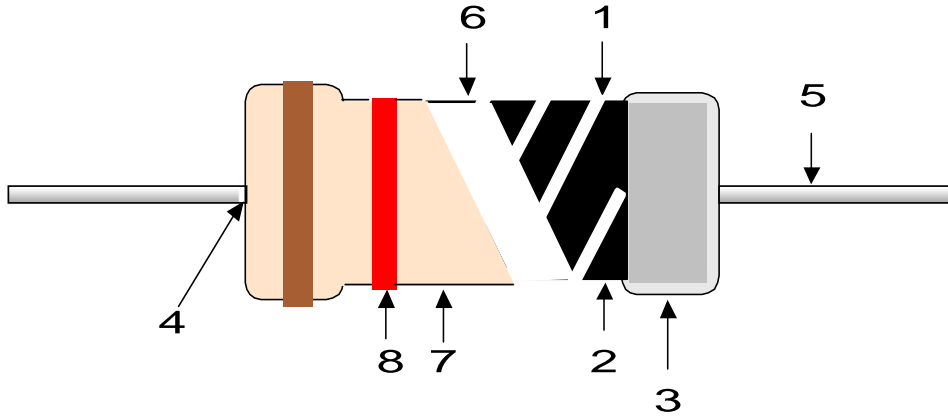
* The overload voltage is calculated based on the resistance value following the formula of $V= 2.5 *\sqrt{(P*R)}$ or to its maximum extent as indicated above

5. POWER DERATING CURVE



PRODUCT : CARBON FILM FIXED RESISTOR(CP WIRE)	TYPE : CF 125/25/50/100/200/300
--	--

6. STRUCTURAL DIAGRAM



- | | |
|------------------------|-----------------------------|
| (1) CORE | CERAMIC ROD |
| (2) RESISTANCE FILM | CARBON FILM |
| (3) TERMINAL | TINNED IRON CAP |
| (4) CONNECTION | ELECTRIC WELDING |
| (5) LEAD WIRE | CP WIRE |
| (6) UNDERCOAT | ELECTRIC INSULATION VARNISH |
| (7) FINISHING PAINTING | ELECTRIC INSULATION PAINT |
| (8) INDICATION | COLOR CODE INK |

TABLE - 4

RATED RESISTANCE VALUE	MAX. TESTING VOLTAGE	
	0.125W / 0.25W	0.5W / 1W / 2W / 3W
$0.1\Omega \leq R < 10\Omega$	0.3	0.3
$10\Omega \leq R < 100\Omega$	0.3	1
$100\Omega \leq R < 1K\Omega$	1	3
$1K\Omega \leq R < 10K\Omega$	3	10
$10K\Omega \leq R < 100K\Omega$	10	30
$100K\Omega \leq R < 1M\Omega$	30	50
$1M\Omega \leq R$	50	100

PRODUCT : CARBON FILM FIXED RESISTOR(CP WIRE) TYPE : CF 125/25/50/100/200/300

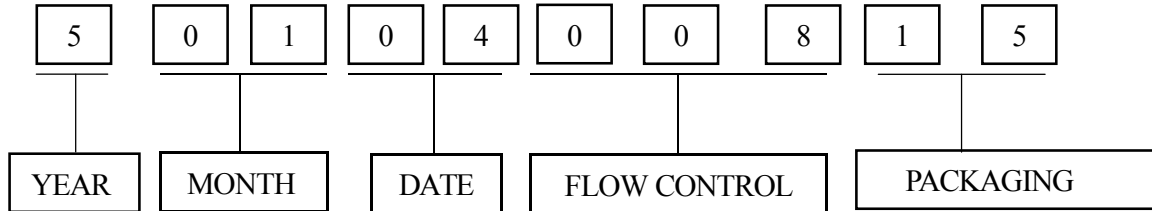
7. CHARACTERISTICS

TABLE - 5

DC RESISTANCE VALUE	TEST METHOD MIL-STD-202 ITEM 303	VOLTAGE AS TABLE -4. TEMPERATURE 25 \pm 2°C. AQL 0.25%.
VOLTAGE WITHSTAND	TEST METHOD MIL-STD-202 ITEM 301	V-BLOCK METHOD. VOLTAGE AS TABLE -3 \times 1.42, 1 MIN. AQL 1%.
SHORT TIME OVERLOAD	TEST METHOD JIS C 5202 ITEM 5.5	RATED VOLTAGE \times 2.5 TIMES OR MAX.WORKINGVOLTAGE \times 2 TIMES. ABOVE TEST 5 SEC. THE RESISTANCE VALUE CHANGE RATE SHALL BE WITHIN \pm (1%R+0.05 Ω).
TERMINAL STRENGTH	TEST METHOD MIL-STD-202 ITEM 211	TENSILE STRENGTH : 1KG TENSIONAL STRENGTH : 180°, 2 CYCLES. BENDING STRENGTH : 0.5KG 2 TIMES. THE RESISTANCE VALUE CHANGE RATE SHALL BE WITHIN \pm (0.5%R+0.05 Ω).
SOLDERABILITY OF TERMINAL	TEST METHOD MIL-STD-202 ITEM 210	260 \pm 5°C 10 \pm 1SEC. AFTER TESTING, LEAVE FOR 3 HOURS. THE RESISTANCE VALUE CHANGE RATE SHALL BE WITHIN \pm (1%R+0.05 Ω).
TEMPERATURE CYCLE	TEST METHOD MIL-STD-202 ITEM 107	LOW SIDE TEMPERATURE : -55°C \pm 3°C 30MIN. ROOM TEMPERATURE : 10-15MIN. HIGH SIDE TEMPERATURE : +125°C \pm 3°C 30MIN. ROOM TEMPERATURE : 10-15MIN. ABOVE TEST 5 CYCLES AFTER LAST CYCLE, LEAVE FOR 1-3 HOURS. THE RESISTANCE VALUE CHANGE RATE SHALL BE WITHIN \pm (1%R+0.05 Ω).
VIBRATION WITHSTAND	TEST METHOD MIL-STD-202 ITEM 204	X, Y, Z-EACH DIRECTION 2 HOURS. AMPLITUDE 0.75MM. RANGE : 10HZ ~ 500HZ. THE RESISTANCE VALUE CHANGE RATE SHALL BE WITHIN \pm (1%R+0.05 Ω).
LOAD LIFE	TEST METHOD MIL-STD-202 ITEM 108	70 \pm 2°C. 1000 HOURS RATED VOLTAGE (1.5 HOURS ON, 0.5 HOUR OFF). THE RESISTANCE VALUE CHANGE RATE SHALL BE WITHIN \pm (5%R+0.1 Ω).
RESISTANCE TEMPERATURE COEFFICIENT	TEST METHOD MIL-STD-202 ITEM 304	THE RESISTANCE VALUE CHANGE RATE SHALL BE AS TABLE - 3.
LOAD LIFE IN HUMIDITY	TEST METHOD MIL-STD-202 ITEM 103	THE RESISTANCE VALUE CHANGE RATE SHALL BE WITHIN \pm (5%R+0.1 Ω).

PRODUCT : CARBON FILM FIXED RESISTOR(CP WIRE)	TYPE : CF 125/25/50/100/200/300
--	--

8. LOT NO. (Coding System)



9. PACKING DATA

TYPE	PER BOX	PER CARTON	INNER BOX			EXPORT CARTON		
			L	W	H	L	W	H
CF125	5,000PCS	50,000PCS	256mm	80mm	69mm	421mm	264mm	161mm
CF25	5,000PCS	50,000PCS	260mm	77mm	100mm	413mm	270mm	227mm
CF50	2,000PCS	20,000PCS	258mm	78mm	80mm	423mm	270mm	355mm
CF100	1,000PCS	10,000PCS	255mm	81mm	72mm	419mm	264mm	170mm
CF200	1,000PCS	10,000PCS	260mm	78mm	87mm	422mm	270mm	200mm
CF300	500PCS	5,000PCS	255mm	100mm	90mm	515mm	267mm	203mm

